

GEARHEAD SERIES

行星齒輪減速機

www.blcdmotor.com.tw

PLANETARY GEAR

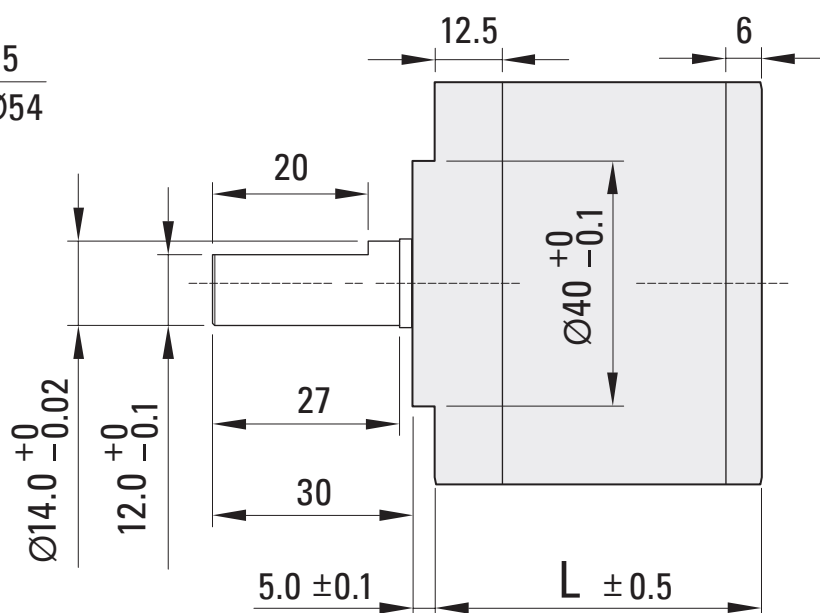
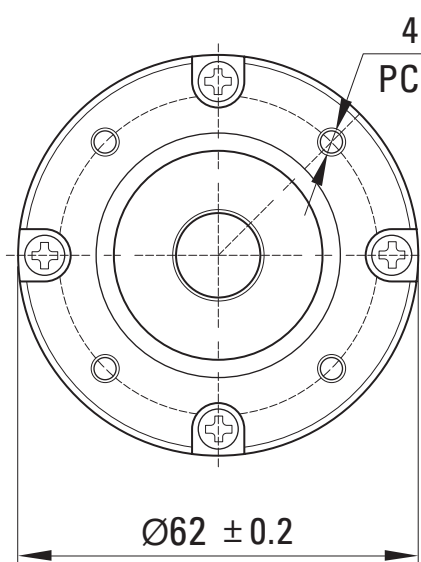
MODEL
BG-62

使用溫度範圍
Operating Temperature -10°C ~ +60°C

使用相對溼度
Operating Relative Humidity 20 ~ 85%RH



外殼材質 Housing material	金屬 Metal
軸承型式 Bearing at output	滾珠軸承 Ball Bearing
背隙(無負荷時) Backlash, at no-load	≤ 3°
徑向負荷 Radial load (10mm from flange)	≤ 25 kgf
軸向負荷 Shaft axial load	≤ 10 kgf
主軸最大承受壓入力 Shaft press fit force, Max.	≤ 50 kgf
徑向間隙 Radial play of shaft	≤ 0.08 mm
軸向間隙 Thrust play of shaft	≤ 0.4 mm



標準減速比型式 GEARBOXES SPECIFICATIONS

減速比 Reduction Ratio	精確減速比 Exact Reduction Ratio	定格容許扭力 Rated Tolerance Torque	瞬間容許扭力 Max momentary Tolerance Torque	效率 Efficiency	長度 L Length	重量 Weight (g)
1/3, 1/4	3 ^{1/2} , 4 ^{1/3}	15 kgf-cm max.	45 kgf-cm	80%	43.6	670
1/12, 1/15	12 ^{1/4} , 15 ^{1/6}	50 kgf-cm max.	150 kgf-cm	70%	59.1	940
1/19	18 ^{7/9}	50 kgf-cm max.	150 kgf-cm	70%	59.1	940
1/43, 1/53, 1/66	42 ^{7/8} , 53 ^{1/12} , 65 ^{13/18}	100 kgf-cm max.	300 kgf-cm	60%	74.6	1220
1/81, 1/100	81 ^{10/27} , 100 ^{2/7}	100 kgf-cm max.	300 kgf-cm	60%	74.6	1220
1/113	112 ^{2/3}	100 kgf-cm max.	300 kgf-cm	60%	74.6	1220
1/150	150 ^{1/16}	100 kgf-cm max.	300 kgf-cm	50%	90.1	1500
1/230, 1/285	230 ^{1/36} , 284 ^{43/54}	100 kgf-cm max.	300 kgf-cm	50%	90.1	1500
1/353, 1/488	352 ^{49/81} , 488 ^{2/9}	100 kgf-cm max.	300 kgf-cm	50%	90.1	1500
1/546, 1/676	546, 676	100 kgf-cm max.	300 kgf-cm	50%	90.1	1500

GEARHEAD SERIES

行星齒輪減速機

www.blcdmotor.com.tw

PLANETARY GEAR

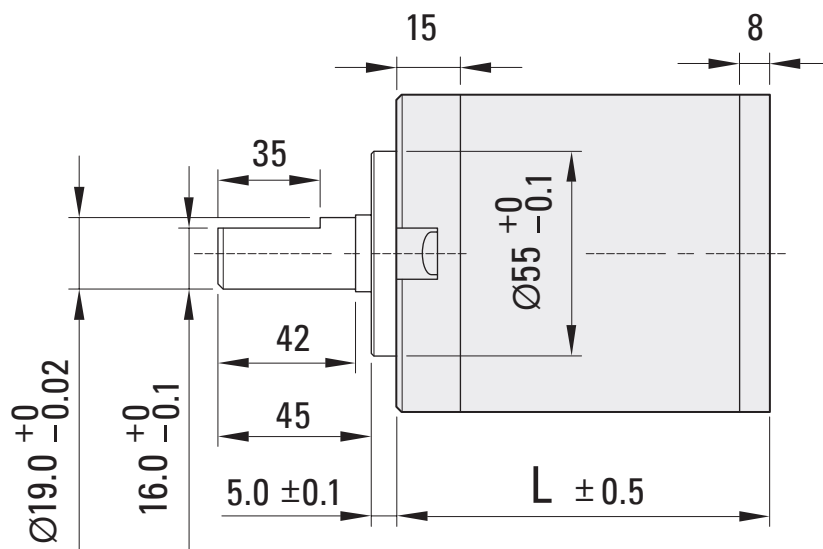
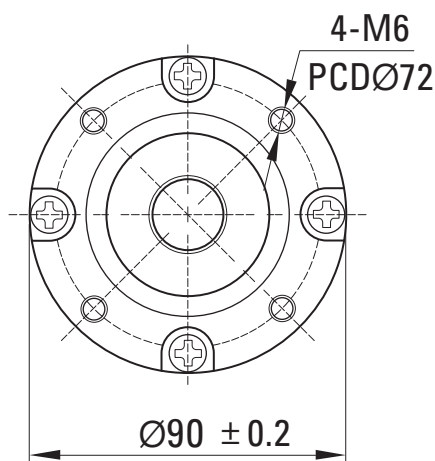
MODEL
BG-90

使用溫度範圍
Operating Temperature -10°C ~ +60°C

使用相對溼度
Operating Relative Humidity 20 ~ 85%RH



外殼材質 Housing material	金屬 Metal
軸承型式 Bearing at output	滾珠軸承 Ball Bearing
背隙(無負荷時) Backlash, at no-load	≤ 4°
徑向負荷 Radial load (10mm from flange)	≤ 40 kgf
軸向負荷 Shaft axial load	≤ 10 kgf
主軸最大承受壓入力 Shaft press fit force, Max.	≤ 100 kgf
徑向間隙 Radial play of shaft	≤ 0.08 mm
軸向間隙 Thrust play of shaft	≤ 0.4 mm



標準減速比型式 GEARBOXES SPECIFICATIONS

減速比 Reduction Ratio	精確減速比 Exact Reduction Ratio	定格容許扭力 Rated Tolerance Torque	瞬間容許扭力 Max momentary Tolerance Torque	效率 Efficiency	長度 L Length	重量 Weight (g)
1/4	3 ^{4/7}	20 kgf-cm max.	60 kgf-cm	80%	57.3	1670
1/15, 1/19	14 ^{47/77} , 18 ^{3/4}	80 kgf-cm max.	240 kgf-cm	70%	73.8	2230
1/52, 1/60	52 ^{121/252} , 59 ^{652/847}	150 kgf-cm max.	450 kgf-cm	60%	90.3	2800
1/77	76 ^{31/44}	150 kgf-cm max.	450 kgf-cm	60%	90.3	2800
1/98	96 ^{7/16}	150 kgf-cm max.	450 kgf-cm	60%	90.6	2800
1/201	201 ^{263/1512}	180 kgf-cm max.	540 kgf-cm	50%	106.8	3370
1/294	294 ^{3/88}	180 kgf-cm max.	540 kgf-cm	50%	106.8	3370
1/403	402 ^{123/176}	180 kgf-cm max.	540 kgf-cm	50%	106.8	3370
1/517	516 ^{51/64}	180 kgf-cm max.	540 kgf-cm	50%	106.8	3370